



Ground

Porcelain tiles

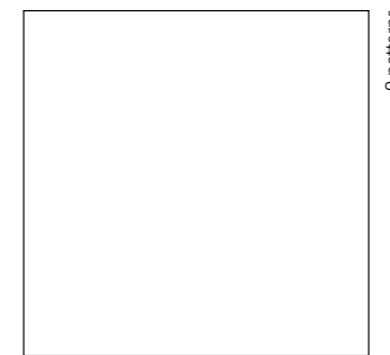
Ground Bone_90*90 SF Ground Bone_90*90 A



Ground

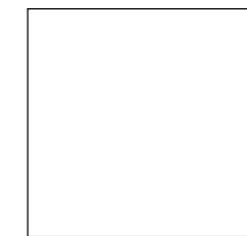
Porcelain tiles

GROUND



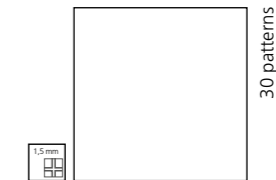
90 * 90 * 1 cm | 36 * 36"

RECTIFIED	SOFT	LAPATTO	ANTISLIP
	BN48	BN42	BN90
BONE	24944	27134	24973
GREY	24792	27135	24974
SILVER	24790	27136	24975



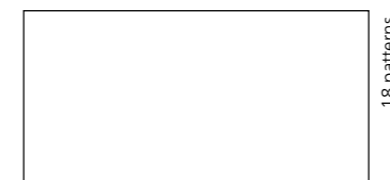
60 * 60 * 1 cm | 24 * 24"

RECTIFIED	SOFT	LAPATTO	ANTISLIP
	BN33	BN38	BN88
BONE	24936	27128	24979
GREY	24937	27130	24980
SILVER	24938	27129	24981



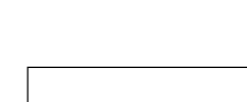
45,6 * 45,6 * 0,8 cm | 18 * 18"

NO RECTIFIED	SOFT
	BN59
BONE	23770
GREY	23771
SILVER	23769



45 * 90 * 1 cm | 18 * 36"

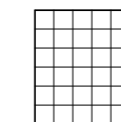
RECTIFIED	SOFT	LAPATTO
	BN70	BN43
BONE	24930	27125
GREY	24931	27126
SILVER	24932	27127



9,9 * 60 * 1 cm | 4 * 24"

RECTIFIED	SOFT	LAPATTO
	BN97	BN98
BONE	24941	27131
GREY	24942	27133
SILVER	24943	27132

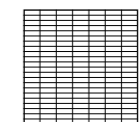
D. GROUND MOSAIC



30 * 30 cm | 12 * 12"

NO RECTIFIED	SOFT
	P37
BONE	23435
GREY	23438
SILVER	23439

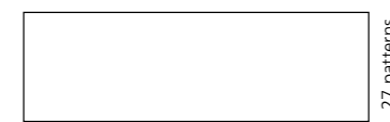
D. GROUND SPAC



30 * 30 cm | 12 * 12"

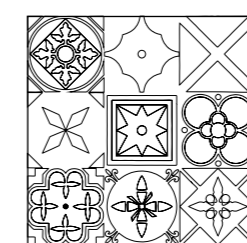
NO RECTIFIED	SOFT
	P58
BONE	23505
GREY	23506
SILVER	23507

MILA



29 * 90 * 1 cm | 12 * 36"

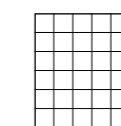
RECTIFIED	SOFT	LAPATTO
	BN114	BN115
BONE	24920	27119
GREY	24921	27120
SILVER	24922	27121



60 * 60 * 1 cm | 24 * 24"

RECTIFIED	SOFT	LAPATTO
	BN40	BN83
WARM	24953	27137
COLD	24952	27138

D. MILA MOSAIC



30 * 30 cm | 12 * 12"

NO RECTIFIED	SOFT
	P37
WARM	23441
COLD	23442



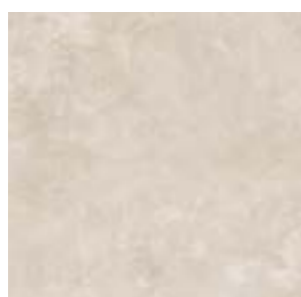
26805 ALUMINIO/60/MAT _
60 * 0,5 cm | 24 * 0,2" _ **P32**



26200 ALUMINIO/90/MAT _
90 * 0,5 cm | 35 * 0,2" _ **P39**



26201 L. GOLDEN/MAT/90 _
90 * 0,5 cm | 35 * 0,2" _ **P39**



GROUND Bone



GROUND Silver



GROUND Grey



MILA Warm

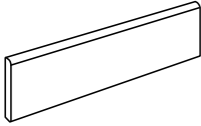
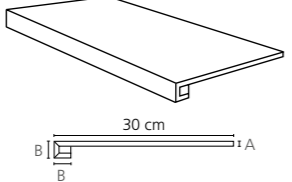
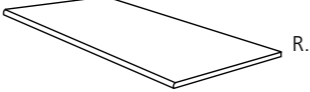

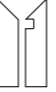
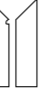



MILA Cold

Ground

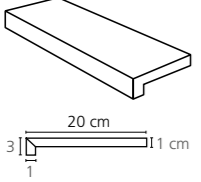
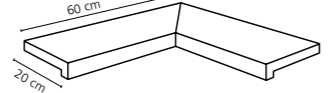
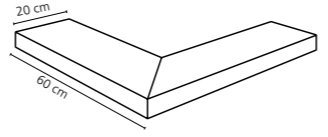
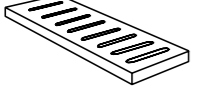


Porcelain tiles

PIEZA COMPLEMENTARIA | COMPLEMENTARY PIECE

Rodapie - Skirting	Peldaño técnico - Technical stair - thread	Peldaño romo - Rounded stair - thread	*S.K.I.	*S.K.D.	*Z.R.I.	*Z.R.D.
						
8 * 90/SF cm 3 * 36" P44 8 * 90/L cm 3 * 36" P44 8 * 60/L cm 3 * 24" P34 8 * 60 cm 3 * 24" P13 8 * 45,6 cm 3 * 18" P9	30 * 90 cm 12 * 36" P76 30 * 60 cm 12 * 24" P54 A= 1 cm B= 3 cm	30 * 90 cm 12 * 36" P61 30 * 60 cm 12 * 24" P64	8 * 30 cm 3 * 12" P55			

PIEZA ESPECIAL PISCINA | SPECIAL PIECE POOL


*Pedido mínimo 10 unidades | Minimum order 10 items

Peldaño Vierteagua Pool Coping	Peldaño vierteagua angulo Pool Coping internal corner	Peldaño vierteagua esquina Pool Coping external corner
		
20 * 60 cm 8 * 24" P61	20 * 60 cm 24 * 24" P70 (PACK 2 units)	20 * 60 cm 24 * 24" P70 (PACK 2 units)
Rejilla Drainage grate	Angulo rejilla Angle corner drainage grate	Taco rejilla Square corner drainage grate
		
15 * 60 * 2,2 cm 6 * 24" P54	15 * 60 * 2,2 cm 24 * 24" P75 (PACK 2 units)	15 * 15 * 2,2 cm 6 * 6" P85

CARACTERÍSTICAS TÉCNICAS | TECHNICAL CHARACTERISTICS

joint	frost proof	versatile	matt	full body	diferent shades	shade variation	various graphics
							

CARACTERÍSTICAS TÉCNICAS ANTIDESLIZAMIENTO | ANTI-SLIP CHARACTERISTICS

Ensayo Essay	Características Features	Resultado Result		
		SOFT	LAPATTO	ANTISLIP
DIN 51130	Ángulo crítico (Pies calzados) Critical angle (footwear)	*R9	R10	R9
DIN 51097	Ángulo crítico (Pies descalzos) Critical angle (Wet loaded barefoot)	*-	A+B	-
BS-7976-2	Antideslizamiento (Test del péndulo) Slip resistance (Pendulum test-PTV)	*-	+36 Wet	-
UNE-ENV-12633	Antideslizamiento (Test del péndulo) Slip resistance (Pendulum test)	*Class 1	Class 2	Class 2
ANSI A137.1	Coefficiente de Fricción Dinámico Dynamic Coefficient of Friction	*-	> 0,42 Wet	> 0,42 Wet
ISO 10545-6	Resistencia a la abrasion profunda/ Resistance to Deep Abrasion	< 175 mm3	< 175 mm3	< 175 mm3
	Producto certificado por CSTB CSTB Certified product	✓	✓	✓

* solo en el formato: 45,6*45,6*0,8 cm | only format: 18*18"

EMBALAJE | PACKING

(Los pesos aquí reflejados pueden sufrir ligeras variaciones en función del lote de producción. Weights shown here may slightly vary depending on the production lot.)

Formato Sizes	Cajas Boxes			Pallet			Tamaño cm aprox.	Cont./20' 21500 kg.	Cont./20' 24000 kg.
	Piezas	m2 sq. m	kg	Cajas	m2 sq. m	kg			
cm									
90 * 90 * 1	2	1,62	37,96	22	35,64	860	105 * 95 * 75	891	994,6
45 * 90 * 1	2	0,81	19,08	36	29,16	699	100 * 100 * 59	896,91	1001,2
29 * 90 * 1	3	0,78	20	54	42,12	1105	105 * 95 * 75	819,53	914,82
9,9 * 60 * 1	13	0,77	16,45	64	49,28	1065	100 * 100 * 94	994,85	1110,54
60 * 60 * 1	3	1,08	24,3	36	38,88	899	120 * 80 * 75	929,83	1037,95
45,6 * 45,6 * 0,8	5	1,04	18,8	66	68,64	1265	120 * 80 * 105	1166,61	1302,26
inch	Units	ft2	lb	Boxes	ft2	lb	Sizes inch approx.	ft2	ft2
35 7/16 * 35 7/16 * 3/8	2	17,44	83,7	22	383,63	1896,3	41 5/16 * 37 3/8 * 29 1/2	9590,72	10705,92
17 11/16 * 35 7/16 * 3/8	2	8,72	42,07	36	313,88	1541,3	41 5/16 * 31 1/2 * 41 5/16	9654,34	10776,94
11 7/16 * 35 7/16 * 3/8	3	8,4	44,09	54	453,38	2436,53	41 5/16 * 37 3/8 * 29 1/2	8821,41	9847,16
3 7/8 * 23 5/8 * 3/8	13	8,29	36,27	64	530,45	2348,33	39 3/8 * 39 3/8 * 37	10708,61	11953,8
23 5/8 * 23 5/8 * 3/8	3	11,63	53,59	36	418,5	1982,3	41 5/16 * 31 1/2 * 29 1/2	10008,72	11172,53
17 15/16 * 17 15/16 * 5/16	5	11,19	41,45	66	738,84	2789,33	39 3/8 * 39 3/8 * 23 1/4	12557,38	14017,54